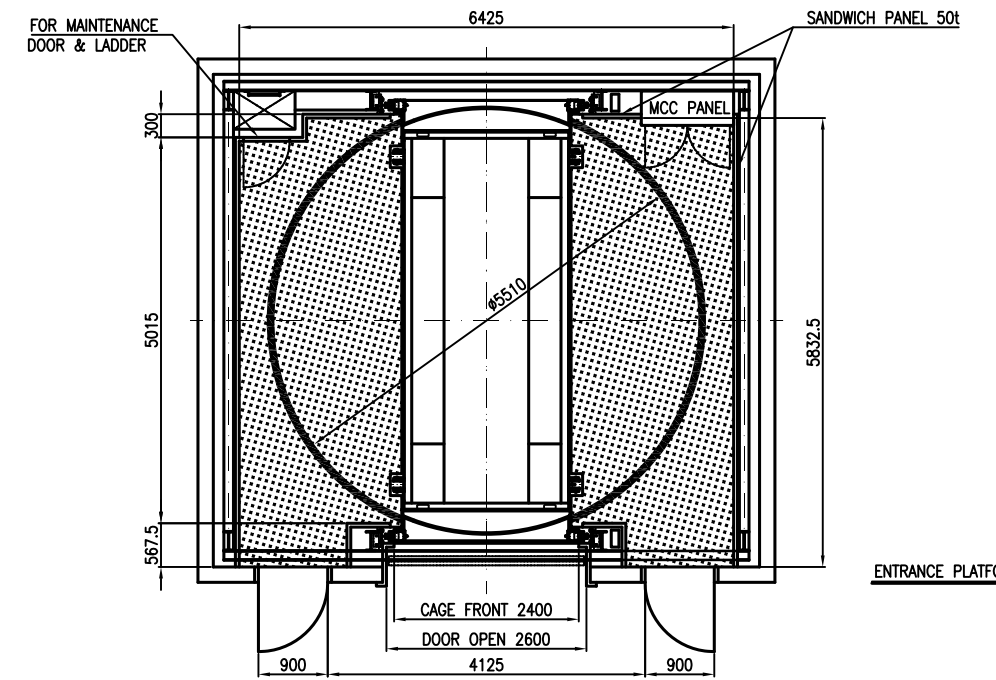
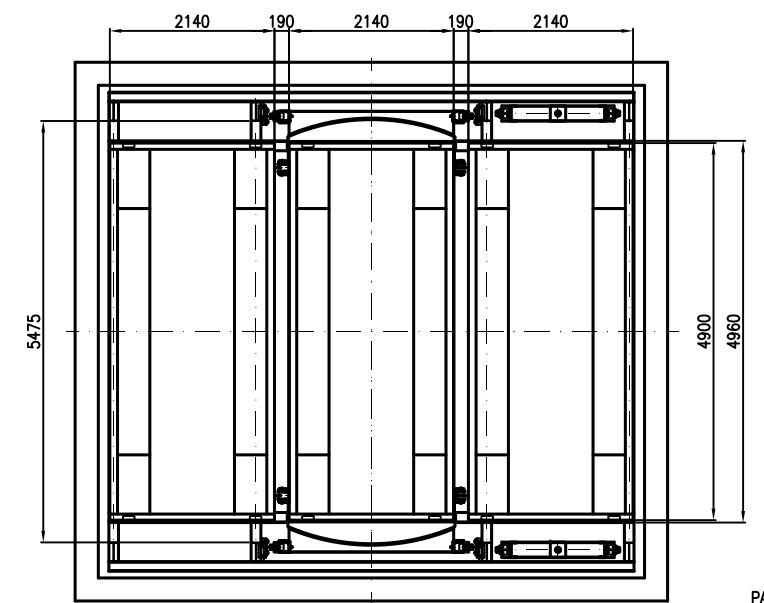


MACHINE ROOM PLAN



ENTRANCE PLATFORM PLAN



PARKING LEVEL TYPICAL PLAN

△					PROJECT NAME	ACE PARKING AC18SU					
△					PART NAME	LAY-OUT					
△					PROJECTION	SCALE	DATE	DESIGEND	CHECKED	APPROVED	
REV	DETAIL OF REVISION	DATE	DESIGEND	APPROVED	①	A1, 1/50	2010.03.22	Choi Hyok		D.Y.PARK	
					DWG. NO	AC18SU-000-01				REVISION	△

This drawing is prohibited from assignment or duplication by unrelated person excluding the purpose DONGYANG PC designates.  
This drawing must be returned to our company within fifteen days after the completion of the construction.

**DYPC Dong Yang PC, Inc.**