

SPECIFICATION

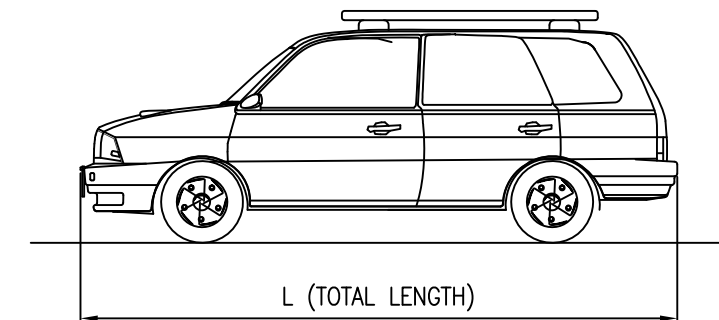
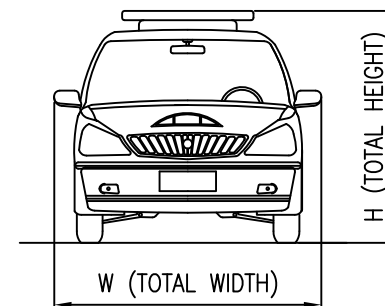
MODEL NO.		ACE PARKING AC18SU	
PARKING CAPACITY		18 CARS	
TYPE OF PARKING SYSTEM		TOP LEVEL ENTRANCE TYPE INTERNAL INSTALLATION (BUILD IN RC SHAFT) INTERNAL TURN TABLE	
CAR RETRIEVAL TIME		AVERAGE 120 SEC.	
DRIVING UNIT	MOTOR	22KW x 4P x 1/25.14 GEARED MOTOR	
	SPEED	40 M/MIN (MAX.)	
	MECHANISM	RS CHAIN (RS100-D) 2:3 ROPING	
LFT CAGE	TRAVERSING	MOTOR	2.2KW x 4P x 1/23.33 GEARED MOTOR
		SPEED	24M/MIN.
		MECHANISM	ROLLER CHAIN WITH HOOK TYPE
	TURNING	MOTOR	3.0KW x 4P x 1/49.38 GEARED MOTOR
		SPEED	2.2 RPM MAX.
		MECHANISM	CHAIN & SPROCKET
AUTO DOOR	OPENING SIZE	W2600 x H2000	
	TYPE	2 PANELS, UP/DOWN, VIEWING WINDOW	
	MOTOR	0.2KWx4Px1/20	
	OPENING SPEED	20 M/MIN	
CONTROL	SPEED CONTROL	VECTOR INVERTER	
	SEQUENCE CONTROL	PLC CONTROL	
	OPERATION BOARD	TWO TOUCH SCREEN BOARDS & ONE PC	
PALLET	SIZE	W2140 x L4900 x T3.2 STEEL PLATE	
	RAIL	L 130 x 130 x 9t	
ELECTRIC POWER	POWER SOURCE	AC 440/380V x 50HZ x 3PH	
	REQUIRED POWER	25KVA (100A AT 380V/285A AT 400V)	

NOTE: ALL MATERIALS SHALL BE SUPPLIED BASED ON MANUFACTURER'S STANDARD.

AVAILABLE CAR

DESCRIPTION/CLASS	SEDAN	SUV
L (TOTAL LENGTH)	5200mm	5200mm
W (TOTAL WIDTH)	2100mm	2150mm
H (TOATL HEIGHT)	1600mm	1850mm
TOTAL WEIGHT	2150Kgf	2400Kgf

NOTE: ALL DIMENSIONS SHOWN ARE INCLUSIVE OF ATTACHMNETS AND ACCESSORIES ON THE CAR.



③					PROJECT NAME	ACE PARKING AC18SU				
②					PART NAME	SPECIFICATION				
①					PROJECTION	SCALE	DATE	DESIGEND	CHECKED	APPROVED
REV	DETAIL OF REVISION	DATE	DESIGEND	APPROVED	④	A1, 1/8	2010.03.22	Choi Hyok		D.Y.PARK
This drawing is prohibited from assignment or duplication by unrelated person excluding the purpose DONGYANG PC designates.					DWG. NO	AC18SU-000-00			REVISION	⑤
This drawing must be returned to our company within fifteen days after the completion of the construction.					DYPC Dong Yang PC, Inc.					