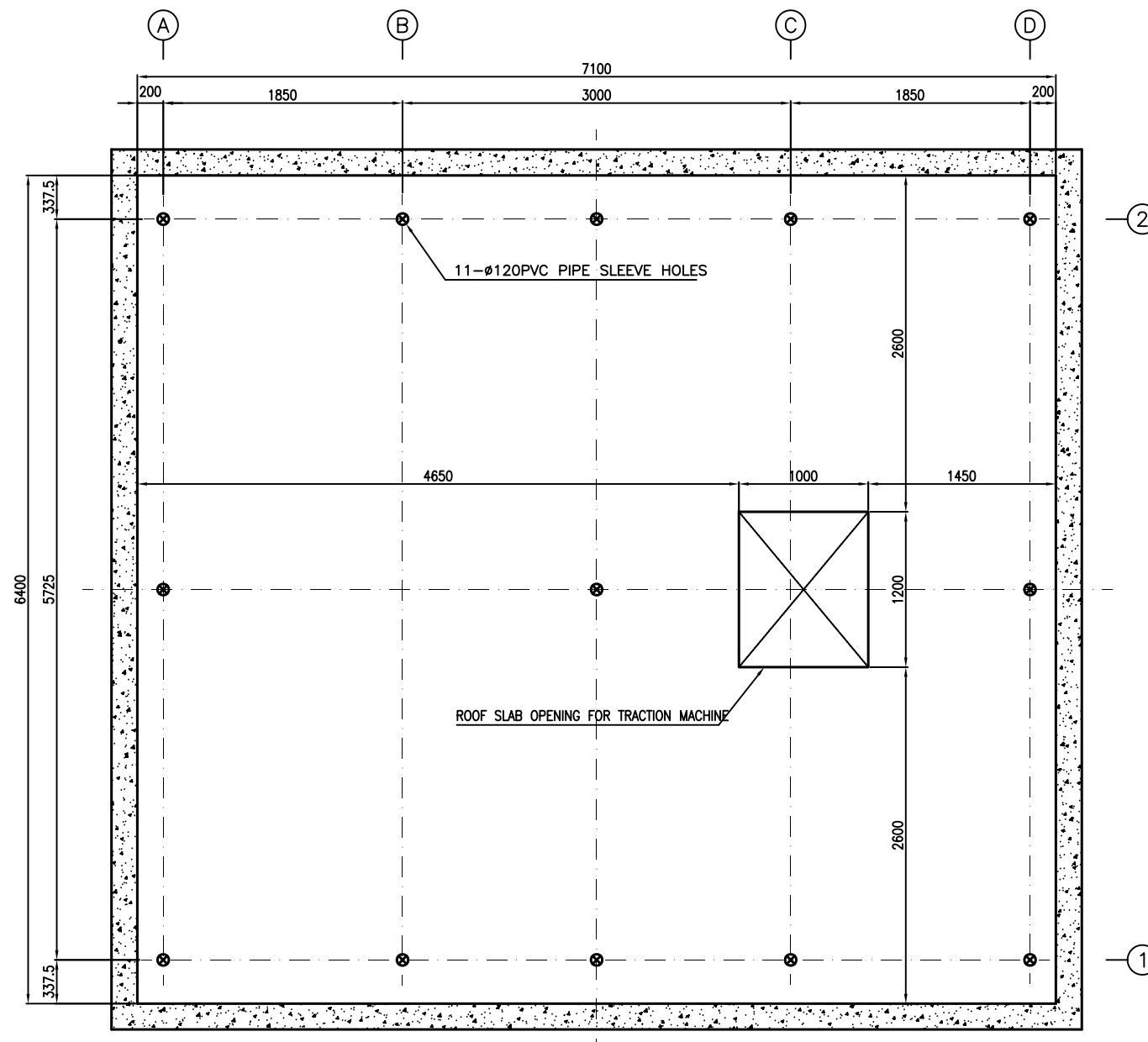
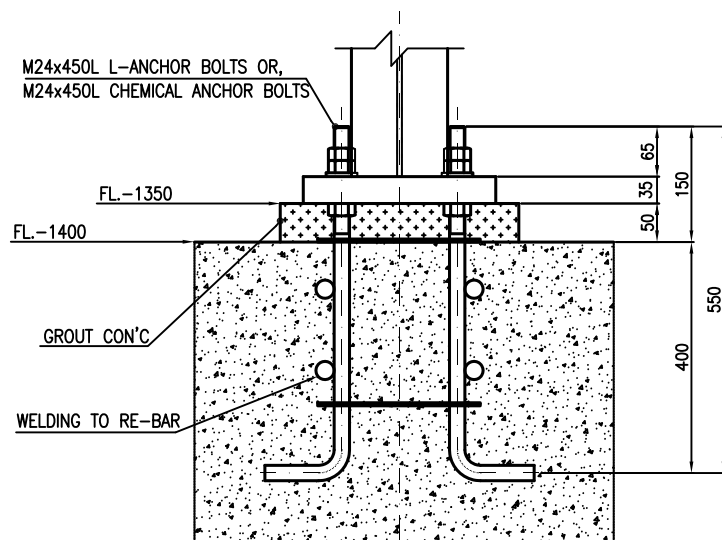


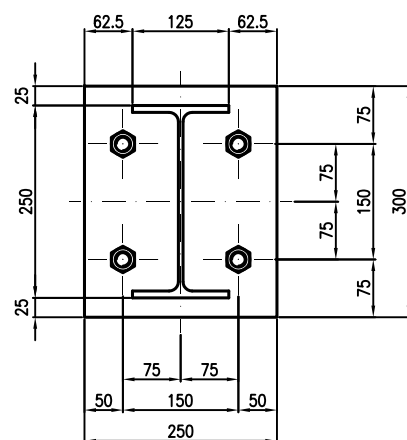
PLAN OF PIT



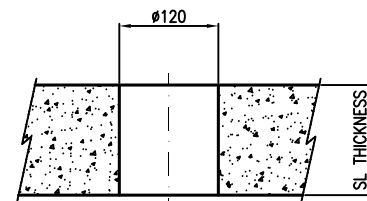
PLAN OF ROOF SLAB



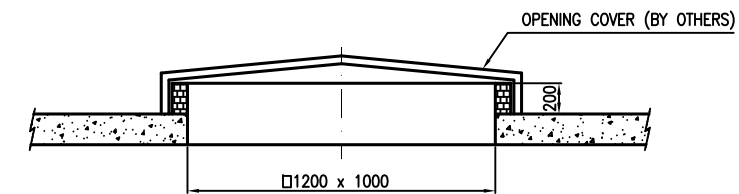
FOOT DETAIL



FOOT DETAIL PLAN



SLEEVE DETAIL



SECTION OF ROOF SLAB OPENING

LOAD DATA FOR FOUNDATION

COLUMN NO./LOAD	VERTICAL LOAD	HORIZONTAL LOAD
COLUMN A1,B1,D1,A2,B2,D2	115KN	N/A
COLUMN C1,C2	128KN	N/A

PROJECT NAME	ACE PARKING AC18SU				
PART NAME	CROSS SECTION OF FOUNDATION DATA				
PROJECTION	SCALE	DATE	DESIGEND	CHECKED	APPROVED
REV	DETAIL OF REVISION	DATE	DESIGEND	APPROVED	
DWG. NO	AC18SU-000-02			REVISION	

This drawing is prohibited from assignment or duplication by unrelated person excluding the purpose DONGYANG PC designates.  
This drawing must be returned to our company within fifteen days after the completion of the construction.

**DYPC Dong Yang PC, Inc.**